

A.S.P. Electro-Technology Ltd

Tel: +44 (0) 1455 635796

Fax: +44 (0) 1455 610851

sales@asp-electro-tech.com

www.asp-electro-tech.com

BG2 range manual call point

Ex de, Ex ia, weatherproof

Overview

This manual fire alarm call point has been designed for use in flammable atmospheres and harsh environmental conditions.

The GRP enclosure is suitable for use offshore or onshore where lightweight combined with a high level of corrosion resistance is required.

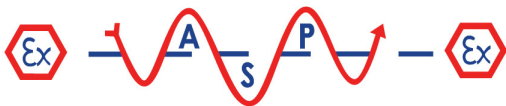


Features

- Zone 0, Zone 1 and Zone 2 use
- Ex de, Ex ia or weatherproof
- ATEX approved - Ex II 1GD (Ex ia)
- Ex II 2GD (Ex de)
- IP66 and IP67
- Certified temperature from -40°C to +70°C*
- Corrosion resistant red painted GRP
- Retained stainless steel cover screws
- Optional lift flap
- Key operated test facility
- Lightweight and robust

*Model dependent



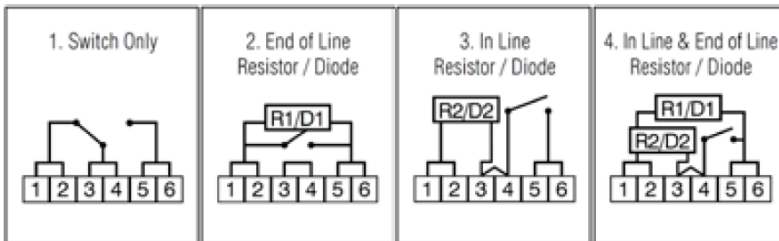


Certifications

ATEX Ex de	Cert. no. BAS02ATEX2105X. ATEX Approved Ex II 2GD Certified to: EN60079-0, EN60079-1, EN60079-7, EN60079-31 Ex d e IIC T6 Gb, Ex tb IIIC T85°C Db (switch only) Ex d e mb IIC T4 Gb, Ex tb IIIC T135°C Db (with resistors & diodes)
ATEX Ex ia	Cert no. Baseefa 03ATEX0084X. ATEX Approved Ex II 1 GD Certified to: EN60079-0, EN60079-11 Ex ia IIC T4 Ga, Ex ia IIIC T135°C Da

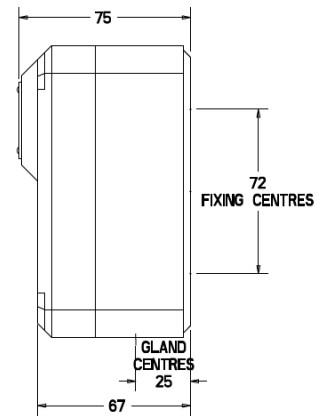
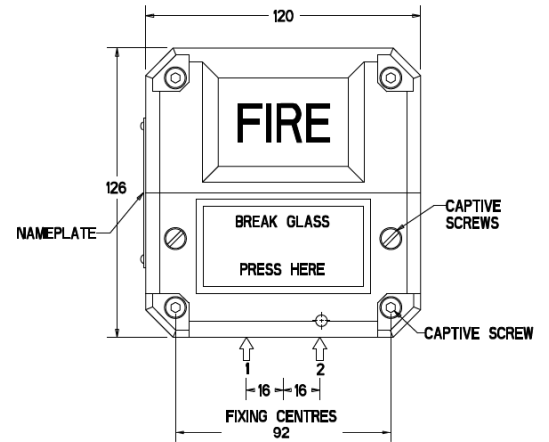
Specifications

Material	Anti static UV resistant glass reinforced polyester
Finish	Painted red
Certified temp	-40°C to +70°C
Voltage	Up to 250Vac. Up to 50Vdc (model dependent)
Weight	1.2Kg
Ingress protection	IP66 and IP67
Cable entries	2 x M20 bottom
Terminals	6 x 2.5 mm ²
Resistors values	Ex de - 100Ω minimum, 39 KΩ maximum Ex ia - 470Ω minimum
Switch ratings	Switch only 30Vdc 5A (resistive) or 3A (inductive) 30-50Vdc 1A (resistive or inductive) 250Vac 5A (resistive or inductive) Resistor(s) 24Vdc 0.05A



ALL CIRCUITS SHOWN WITH GLASS INTACT

General arrangement drawing (all dimensions in mm)



Ordering requirements

The following code is designed to help in selection of the correct unit. Build up the reference number by inserting the code for each component into the appropriate box

Model	Options	Flap	Finish																																
[]	[]	[]	[]																																
<table border="1"> <thead> <tr> <th>Model</th> <th>Code</th> </tr> </thead> <tbody> <tr> <td>BG2W - ac or dc</td> <td>BG2WNN</td> </tr> <tr> <td>BG2I - Up to 28V (I.S.)</td> <td>BG2INN</td> </tr> <tr> <td>BG2E - dc</td> <td>BG2EDC</td> </tr> <tr> <td>BG2E - ac</td> <td>BG2EAC</td> </tr> </tbody> </table>	Model	Code	BG2W - ac or dc	BG2WNN	BG2I - Up to 28V (I.S.)	BG2INN	BG2E - dc	BG2EDC	BG2E - ac	BG2EAC	<table border="1"> <thead> <tr> <th>Options</th> <th>Code</th> </tr> </thead> <tbody> <tr> <td>Switch only</td> <td>1</td> </tr> <tr> <td>End of line resistor</td> <td>2*</td> </tr> <tr> <td>In line resistor</td> <td>3*</td> </tr> <tr> <td>In line and end of line resistor</td> <td>4*</td> </tr> <tr> <td>Diode (specify location & value)</td> <td>5</td> </tr> </tbody> </table> <p>*Specify resistor values</p>	Options	Code	Switch only	1	End of line resistor	2*	In line resistor	3*	In line and end of line resistor	4*	Diode (specify location & value)	5	<table border="1"> <thead> <tr> <th>Flap</th> <th>Code</th> </tr> </thead> <tbody> <tr> <td>Fitted</td> <td>F*</td> </tr> <tr> <td>Not fitted</td> <td>N</td> </tr> </tbody> </table> <p>*Polycarbonate lift flap</p>	Flap	Code	Fitted	F*	Not fitted	N	<table border="1"> <thead> <tr> <th>Finish</th> <th>Code</th> </tr> </thead> <tbody> <tr> <td>Red painted</td> <td>R</td> </tr> </tbody> </table>	Finish	Code	Red painted	R
Model	Code																																		
BG2W - ac or dc	BG2WNN																																		
BG2I - Up to 28V (I.S.)	BG2INN																																		
BG2E - dc	BG2EDC																																		
BG2E - ac	BG2EAC																																		
Options	Code																																		
Switch only	1																																		
End of line resistor	2*																																		
In line resistor	3*																																		
In line and end of line resistor	4*																																		
Diode (specify location & value)	5																																		
Flap	Code																																		
Fitted	F*																																		
Not fitted	N																																		
Finish	Code																																		
Red painted	R																																		

The Eaton BG range of manual alarm call point caters for numerous options such as variety of colours, LED indication, earth continuity, double switch, etc. See separate catalogue sheet for details